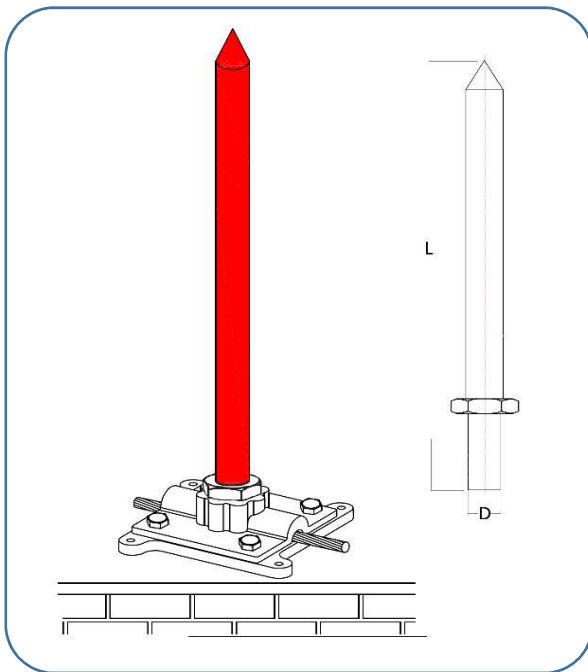


Lightning Protection Air Rod (AT)

Application:

A lightning air rod is a metal rod, usually of copper or conductive material, used as part of lightning safety to protect tall or isolated structures (such as the roof of a building or the mast of a vessel) from lightning damage. They are form an important part of the air termination network of a lightning protection system.



Specification:

A lightning rod is connected via a low-resistance wire or cable to the earth or water below, where the charge may be safely dissipated. Lightning rods sometimes possess a short circuit to the ground that is interrupted by a thin non-conductor over which lightning jumps.

supplied in copper, nickel-chrome coated copper or stainless steel and aluminum as BS 6651.

Reference code	Cross section mm2	Material	Length (mm)	Box. Qty	Unit Weight (Kg)
AT 10/500	10	Copper	500	1	0.35
AT, 10/500	10	Ni-Cr Couted Cu	500	1	0.35
ATs 10/500	10	St. St.	500	1	0.31
AT 16/500	16	Copper	500	1	0.89
AT, 16/500	16	Ni-Cr Couted Cu	500	1	0.89
ATs 16/500	16	St. St.	500	1	0.78
AT 16/1000	16	Copper	1000	1	1.79
AT, 16/1000	16	Ni-Cr Couted Cu	1000	1	1.79
ATs 16/1000	16	St. St.	1000	1	1.57
AT 20/500	20	Copper	500	1	1.40
AT, 20/500	20	Ni-Cr Couted Cu	500	1	1.40
ATs 20/500	20	St. St.	500	1	1.22
AT 20/1000	20	Copper	1500	1	2.79
AT, 20/1000	20	Ni-Cr Couted Cu	1500	1	2.79
ATs 20/1000	20	St. St.	1500	1	2.45
AT 20/1500	20	Copper	1500	1	4.19
AT, 20/1500	20	Ni-Cr Couted Cu	1500	1	4.19
ATs 20/1500	20	St. St.	1500	1	3.67
AT 20/2000	20	Copper	2000	1	5.58
AT, 20/2000	20	Ni-Cr Couted Cu	2000	1	5.58
ATs 20/2000	20	St. St.	2000	1	4.90

Titel:	Document No.:					
Lightning Protection Air Rod (AT)	Rev.:	0	Issued For Approval	97/10/20	K. J.	M.R.Hedayati
	Page:	1/2	Description	Date	Prepared	Checked
						Approved