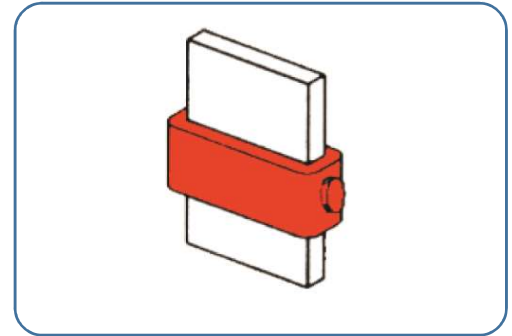


## Bus End to Bus Vertical Connection (BB-V)

### Application:

BS-V Type Molds are used to connect a vertical copper bus tap to a vertical Bus End Bus Bar.



Reference Code	Cable Section (mm <sup>2</sup> )		Cartridge Size	Handle Clamp Type
	Main	Tap		
BB-V 20x3	20x3	20x3	65	NHC-50
BB-V 25x3	25x3	25x3	90	NHC-50
BB-V 30x3	30x3	30x3	115	NHC-80
BB-V 30x5	30x5	50x5	150	NHC-80
BB-V 50x5	30x5	50x5	200	NHC-80
BB-V 50x6	50x5	50x6	250	NHC-80

### Required Tools:

Suitable Mould Type: (BB-V)  
Handle Clamps (NHC)  
Exothermic Welding Powder  
Wick Starter  
Metalic Disk  
Flint Ignitor

### Suggested Tools:

Cleaning Tools (CTKA)  
Torch Warmer (TFG)  
Scraper

Titel:	Document No.:						
<b>Bus End to Bus Vertical Connection (BB-V)</b>	Rev.:	0	Issued For Approval	97/10/20	K. J.	M.R.Hedayati	M.R.Hedayati
	Page:	1/2	Description	Date	Prepared	Checked	Approved