

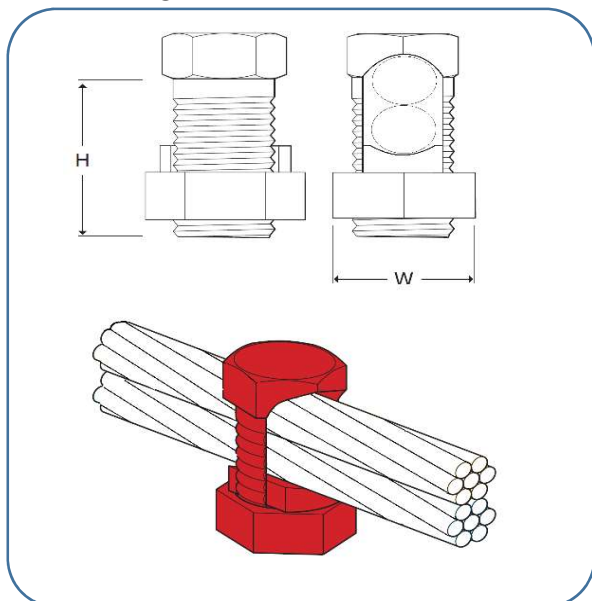
Ground Wire Connector Clamp (BCSU)

Application:

Brass Bolted Type Connector for connecting of two run and tap copper wire conductor



Structure Outline:



Based on BS 7430, UL 467, IEC 62305, EN 50164, BS 6651, NFPA 780, UNE 21186 & NFC 17102

Specification:

Petunia connector clamps have high strength copper alloy bodies, corrosion resistance, high conductivity and mechanical strength, to support and passing electrical current.

Ord. Code	Tape range (mm)	Dimention L x W (mm)	Box. Qty	Weight (Kg)
BCSU 16	10-16	33x18	10	0.04
BCSU 35	25 - 35	40x20	10	0.05
BCSU 70	50 - 70	50x24	10	0.15
BCSU 120	95 - 120	58x32	10	0.21
BCSU 185	150 - 185	69x40	10	0.43

Titel:	Document No.:					
Ground Wire Connector Clamp (BCSU)	Rev.:	0	Issued For Approval	97/10/20	K. J.	M.R.Hedayati
	Page:	1/2	Description	Date	Prepared	Checked
						Approved