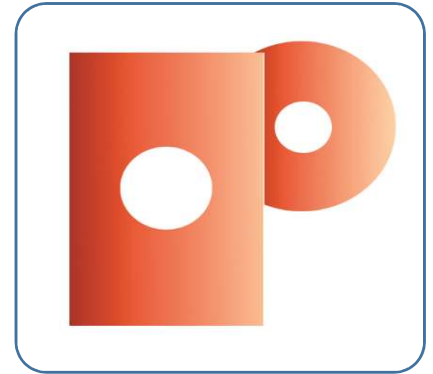


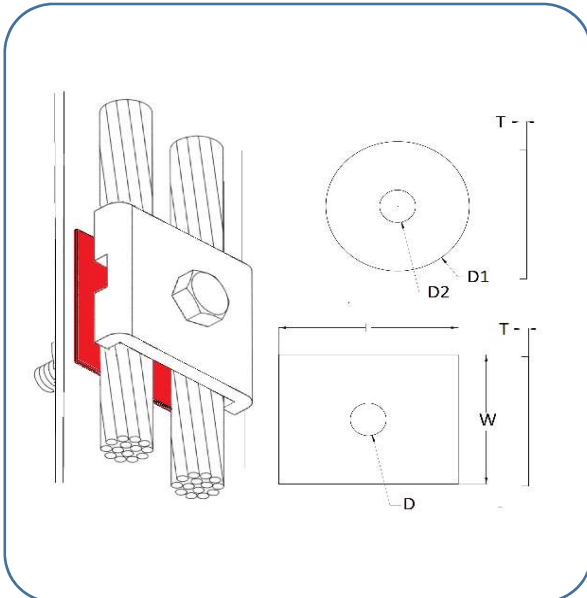
## Bimetallic Washers (BP)

### Application:

Bimetal (Al-Cu) washer for prevention of corrosion between copper alloy clamps and galvanized steel structures.



### Structure Outline:



One side aluminum, one side copper

### Specification:

These washers have two sides, aluminum and copper, to protect from galvanic corrosion between brass alloy clamps and steel structures.

Ord. Code	Shape	Thik. (mm)	Ø mm Hole	Dimention (mm)	Box. Qty	Weight (Kg)
BPC 30/8	Circular	3	8.5	30 Ø	10	0.017
BPC 30/10	Circular	3	10.5	30 Ø	10	0.016
BPC 30/12	Circular	3	12.5	30 Ø	10	0.015
BPC 30/14	Circular	3	14.5	30 Ø	10	0.014
BPC 30/16	Circular	3	16.5	30 Ø	10	0.013
BPQ 19/12	Square	3	12.5	55*36	10	0.047
BPQ 19/14	Square	3	14.5	55*36	10	0.048
BPQ 25/14	Square	3	14.5	55*36	10	0.069
BPQ 25/16	Square	3	16.5	55*36	10	0.068

Titel:		Document No.:						
<b>Bimetallic Washers (BP)</b>		Rev.:	0	Issued For Approval	97/10/20	K. J.	M.R.Hedayati	
		Page:	1/2	Description	Date	Prepared	Checked	Approved