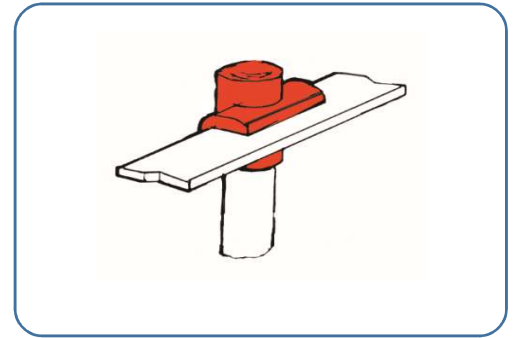


Horizontal Bus to Ground Rod (BR-TH)

Application:

BR-AR type moulds are used to connect through busbar to top of ground rod.. Ground rods can be copperbonded, copperclad, galvanized, stainless steel or stainless steel clad.



Reference Code	Cable Section (mm ²)		Cartridge Size	Handle Clamp Type
	Main	Tap		
BR-TH 20x3/14.2	14.2	20x3	90	NHC-50
BR-TH 25x3/14.2	14.2	25x3	90	NHC-50
BR-TH 30x3/14.2	14.2	30x3	90	NHC-50
BR-TH 30x5/14.2	14.2	30x5	150	NHC-80
BR-TH 50x5/14.2	14.2	50x5	150	NHC-80
BR-TH 20x3/17.2	17.2	20x3	115	NHC-80
BR-TH 25x3/17.2	17.2	25x3	115	NHC-80
BR-TH 30x3/17.2	17.2	30x3	115	NHC-80
BR-TH 30x5/17.2	17.2	30x5	150	NHC-80
BR-TH 50x5/17.2	17.2	50x5	200	NHC-80

Required Tools:

Suitable Mould Type: (BR-TH)
Handle Clamps (NHC)
Exothermic Welding Powder
Wick Starter
Metalic Disk
Flint Ignitor

Suggested Tools:

Cleaning Tools (CTKA)
Torch Warmer (TFG)
Scraper

Titel:	Document No.:						
Horizontal Bus to Ground Rod (BR-TH)	Rev.:	0	Issued For Approval	97/10/20	K. J.	M.R.Hedayati	M.R.Hedayati
	Page:	1/2	Description	Date	Prepared	Checked	Approved