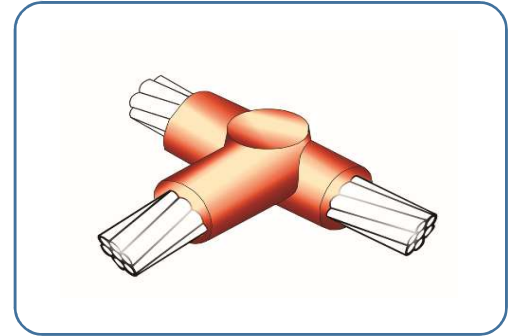


Horizontal Tee Connection (CC-TH)

Section 2

Application:

CC-TH Type Moulds are used for horizontal "T" stranded cable connections.



Reference Code	Cable Section (mm ²)		Cartridge Size	Handle Clamp Type
	Main	Tap		
CC-TH 150/50	150	50	90	NHC-50
CC-TH 150/70	150	70	115	NHC-80
CC-TH 150/95	150	95	150	NHC-80
CC-TH 150/120	150	120	150	NHC-80
CC-TH 150/150	150	150	150	NHC-80
CC-TH 185/50	185	50	90	NHC-50
CC-TH 185/70	185	70	115	NHC-80
CC-TH 185/95	185	95	150	NHC-80
CC-TH 185/120	185	120	200	NHC-80
CC-TH 185/150	185	150	200	NHC-80
CC-TH 185/185	185	185	200	NHC-80
CC-TH 240/50	240	50	115	NHC-80
CC-TH 240/70	240	70	150	NHC-80
CC-TH 240/95	240	95	150	NHC-80
CC-TH 240/120	240	120	200	NHC-80
CC-TH 240/150	240	150	200	NHC-80
CC-TH 240/185	240	185	250	NHC-80
CC-TH 240/240	240	240	300	NHC-80
CC-TH 300/50	300	50	150	NHC-80
CC-TH 300/70	300	70	150	NHC-80
CC-TH 300/95	300	95	200	NHC-80
CC-TH 300/120	300	120	200	NHC-80
CC-TH 300/150	300	150	200	NHC-80
CC-TH 300/185	300	185	250	NHC-80
CC-TH 300/240	300	240	300	NHC-100
CC-TH 300/300	300	300	400	NHC-100

Required Tools:

- Suitable Mould Type: (CC-TH)
- Handle Clamps (NHC)
- Exothermic Welding Powder
- Wick Starter
- Metalic Disk
- Flint Ignitor

Suggested Tools:

- Cleaning Tools (CTKA)
- Torch Warmer (TFG)
- Scraper

Titel:	Document No.:						
Horizontal Tee Connection (CC-TH)	Rev.:	0	Issued For Approval	97/10/20	K. J.	M.R.Hedayati	M.R.Hedayati
	Page:	1/2	Description	Date	Prepared	Checked	Approved