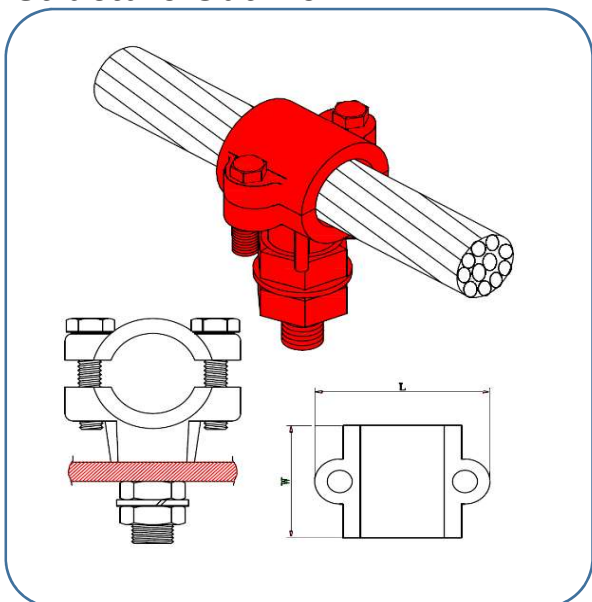


**Application:**

Brass one hole tower clamps are suitable for holding conductors on steel structure.



**Structure Outline:**



| Ord. Code | Tape<br>age<br>(mm) | Dimention<br>(mm) |       | Box.<br>Qty | Weight<br>(Kg) |
|-----------|---------------------|-------------------|-------|-------------|----------------|
|           |                     | Bolt              | LxW   |             |                |
| CSN 120   | 95-120              | M12               | 40x30 | 10          | 0.18           |
| CSN 240   | 150-240             | M12               | 44x30 | 10          | 0.22           |

**Specification:**

Petunia structure clamps have high strength copper alloy bodies, corrosion resistance, high conductivity and mechanical strength, to support and passing electrical current.

Based on BS 7430, UL 467, IEC 62305, EN 50164, BS 6651, NFPA 780, UNE 21186 & NFC 17102

|  |  |               |     |                     |          |          |              |              |
|--|--|---------------|-----|---------------------|----------|----------|--------------|--------------|
| Titel:   |  | Document No.: |     |                     |          |          |              |              |
| <b>Ground Wire<br/>Structure Clamp<br/>(CSN)</b> |  | Rev.:         | 0   | Issued For Approval | 97/10/20 | K. J.    | M.R.Hedayati | M.R.Hedayati |
|  |  | Page:         | 1/2 | Description         | Date     | Prepared | Checked      | Approved     |