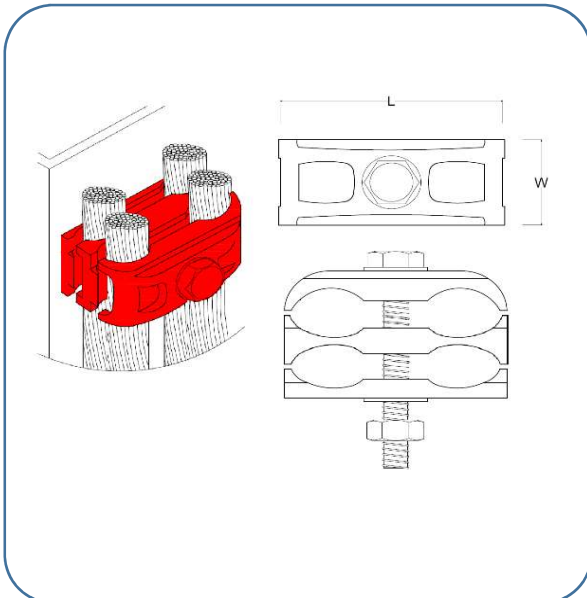


### Application:

Brass two hole tower clamps are suitable for making of electrical connection between the conductor and steel structure.



### Structure Outline:



Ord. Code	Tape age (mm)	Dimention (mm)		Box. Qty	Weight (Kg)
		Bolt	LxW		
DGWC 185	50-185	M12	54x30	10	0.26
DGWC 300	240-300	M12	64x33	10	0.38

### Specification:

Petunia structure clamps have high strength copper alloy bodies, corrosion resistance, high conductivity and mechanical strength, to support and passing electrical current.

Based on BS 7430, UL 467, IEC 62305, EN 50164, BS 6651, NFPA 780, UNE 21186 & NFC 17102

Titel:		Document No.:					
<b>Ground Wire Structure Clamp (DGWC)</b>	Rev.:	0	Issued For Approval	97/10/20	K. J.	M.R.Hedayati	M.R.Hedayati
	Page:	1/2	Description	Date	Prepared	Checked	Approved