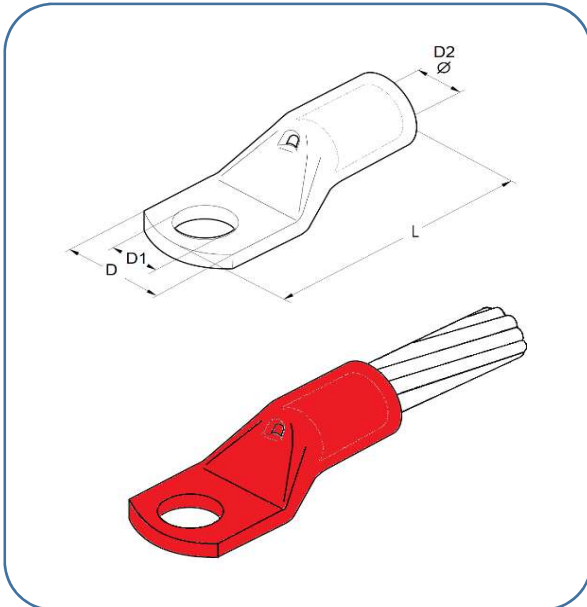


Application:

Crimping type copper tinned cable lug with a hole are used for make a easy connection to structures.



Structure Outline:



Specification:

They are made from high conductivity pure copper and tin plated to corrosion resistance.

ONE HOLE CABLE LUG

- Tin plated copper

Ref. Code	Cond. range mm2	Duty	Hole dia. (mm)	Max. Dimention WxL (mm)	Box	Weight Kg/Box
DL 6	6	Heavy	M6, M8	12 x 30	100	0.01
DLi 6	6	Light	M6, M8	12 x 27.5	100	0.01
DL 10	10	Heavy	M6, M8, M10	15 x 43.8	100	0.01
DLi 10	10	Light	M6, M8, M10	15 x 34.5	100	0.01
DL 16	16	Heavy	M6, M8, M10	15 x 47	100	0.01
DLi 16	16	Light	M6, M8, M10	15 x 37	100	0.01
DL 25	25	Heavy	M6, M8, M10	16 x 49	50	0.01
DLi 25	25	Light	M6, M8, M10	14-16 x 42	50	0.01
DL 35	35	Heavy	M6, M8, M10	16 x 57.3	50	0.01
DLi 35	35	Light	M6, M8, M10	15 x 46.5	50	0.01
DL 50	50	Heavy	M8, M10, M12	17 x 62.8	50	0.02
DLi 50	50	Light	M8, M10, M12	17 x 53.5	50	0.02
DL 70	70	Heavy	M8, M10, M12	21 x 68.2	50	0.03
DLi 70	70	Light	M8, M10, M12	21 x 60.5	50	0.02
DL 95	95	Heavy	M8, M10, M12	25 x 79	25	0.05
DLi 95	95	Light	M8, M10, M12	25 x 65	25	0.04
DL 120	120	Heavy	M10, M12, M14	27 x 80	25	0.06
DLi 120	120	Light	M10, M12, M14	27 x 70.5	25	0.06
DL 150	150	Heavy	M12, M16, M20	30 x 100	25	0.11
DLi 150	150	Light	M12, M16, M20	30 x 72.5	25	0.08
DL 185	185	Heavy	M14, M16, M18	33 x 100.6	10	0.11
DLi 185	185	Light	M14, M16, M18	33 x 88.5	10	0.10
DL 240	240	Heavy	M14, M16, M18	38 x 115	10	0.18
DLi 240	240	Light	M14, M16, M18	38 x 94.5	10	0.15
DL 300	300	Heavy	M16, M18, M20	41 x 122.6	10	0.29
DLi 300	300	Light	M16, M18, M20	41 x 107	10	0.25
DL 400	400	Heavy	M16, M18, M20	47 x 127.5	10	0.34
DLi 400	400	Light	M16, M18, M20	47 x 113	10	0.30

Titel:	Document No.:					
Tinned Copper Cable Lug (DL)	Rev.:	0	Issued For Approval	97/10/20	K. J.	M.R.Hedayati
	Page:	1/2	Description	Date	Prepared	Checked
						Approved