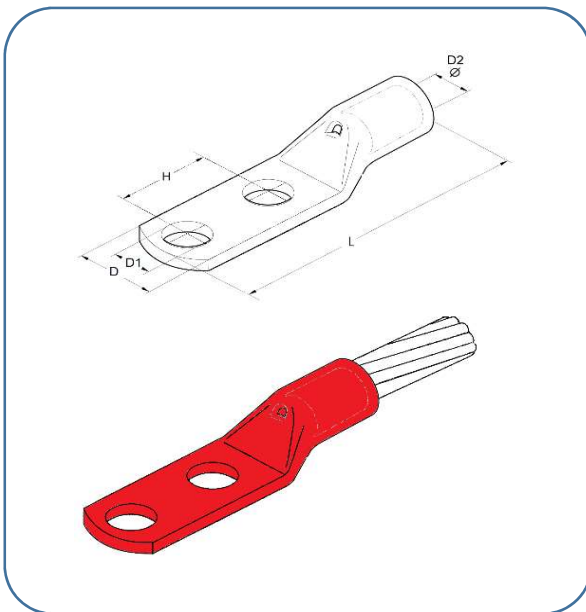


Application:

Crimping type copper tinned cable lug with a hole are used for make a easy connection to structures.



Structure Outline:



Reference Code	Cond. range mm ²	Hole Dis. H mm	Hole dia. (mm)	Max. Dimention WxL (mm)	Box	Weight Kg/Box
DLT 35	35	25	M12	15 x 25	50	0.02
DLT2 35	35	40	M14	15 x 40	50	0.02
DLT 50	50	25	M14	17 x 25	50	0.03
DLT2 50	50	40	M14	17 x 40	50	0.03
DLT 70	70	25	M14	21 x 25	50	0.04
DLT2 70	70	40	M14	21 x 40	50	0.04
DLT 95	95	25	M14	25 x 25	25	0.06
DLT2 95	95	40	M14	25 x 40	25	0.07
DLT 120	120	25	M14	27 x 25	25	0.08
DLT2 120	120	40	M14	27 x 40	25	0.09
DLT 150	150	25	M14	30 x 25	25	0.13
DLT2 150	150	40	M18	30 x 40	25	0.15
DLT 185	185	25	M14	33 x 25	10	0.14
DLT2 185	185	40	M18	33 x 40	10	0.16
DLT 240	240	25	M14	38 x 25	10	0.22
DLT2 240	240	40	M18	38 x 40	10	0.25
DLT 300	300	25	M14	41 x 25	10	0.35
DLT2 300	300	40	M18	41 x 40	10	0.38
DLT 400	400	25	M14	47 x 25	10	0.41
DLT2 400	400	40	M18	47 x 40	10	0.45

Specification:

They are made from high conductivity pure copper and tin plated to corrosion resistance.

TWO HOLE CABLE LUG

- Tin plated copper

Titel:	Document No.:					
Two Hole Tinned Copper Cable Lug (DLT)	Rev.:	0	Issued For Approval	97/10/20	K. J.	M.R.Hedayati
	Page:	1/2	Description	Date	Prepared	Checked
						Approved