

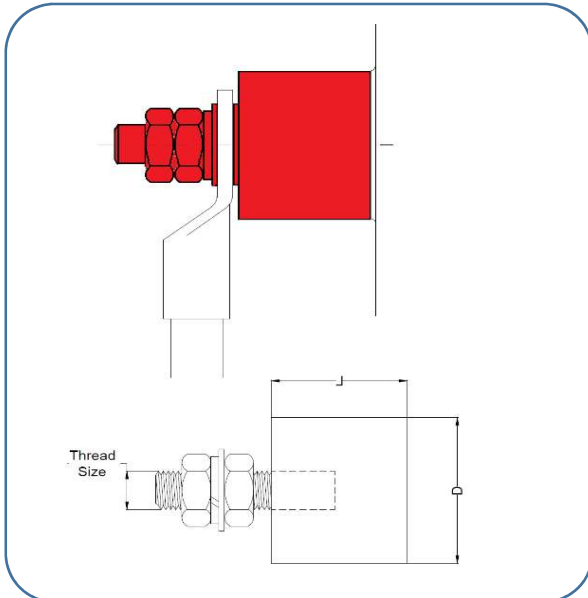
Earth Boss (EB)

Application:

The Petunia earth boss is designed to provide an earth connection point on a steel structure. The boss is welded onto steel vessels, tanks and other structures.



Structure Outline:



Manufactured from mild steel to BS970 230M07

Specification:

Comes complete with A2 Stainless Steel dowel, flat washer, spring washer and two nuts.

Ord. Code	Thread Size (mm)	Dimension L x Ø (mm)	Box. Qty	Weight (Kg)
EB 401	8	30x40		0.35
EB 402	10	30x40		0.35
EB 501	8	40x50		0.62
EB 502	10	40x50		0.62

Titel:		Document No.:						
Earth Boss (EB)		Rev.:	0	Issued For Approval	97/10/20	K. J.	M.R.Hedayati	M.R.Hedayati
		Page:	1/2	Description	Date	Prepared	Checked	Approved