

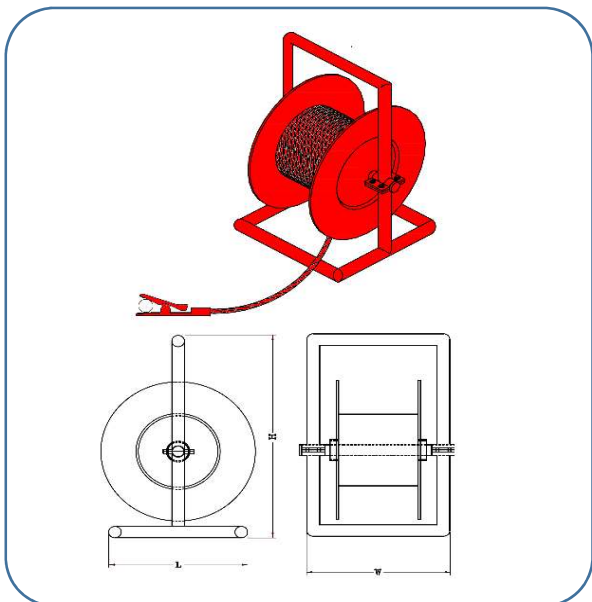
Earth Cable Reel (ECR)

Application:

The earth cable reel is used as temporary earthing devices for connecting flammable liquid caring tanker to earthing systems. The earth cable is from bare annealed stranded copper wires and highly flexible, they are mechanically protected by a plastic sheath.



Structure Outline:



Specification:

PETUNIA's Earthing Cable System (ECR) is a highly-effective and virtually maintenance-free grounding system specifically designed for temporary earth connection purposes.

Ord. Code	Cable Specification		Box. Qty	Weight (Kg)
	Size	Length (m)		
ECR 1/35	35	15	1	20.15
ECR 1/25	25	12	1	18.08
ECR 2/25	25	10	1	13.80
ECR 2/16	16	8	1	11.78
ECR 3/16	16	6	1	3.26
ECR 3/10	10	4	1	2.70

Titel:		Document No.:						
Earth Cable Reel (ECR)		Rev.:	0	Issued For Approval	97/10/20	K. J.	M.R.Hedayati	M.R.Hedayati
		Page:	1/2	Description	Date	Prepared	Checked	Approved