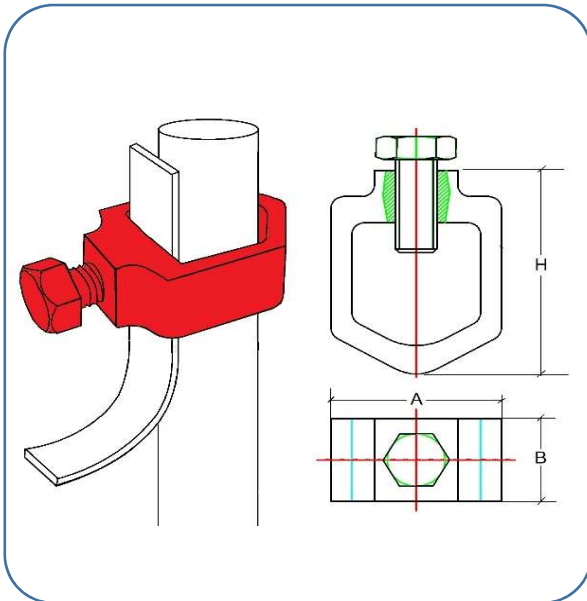


Application:

Brass tape connector rod clamps are suitable for use with end of copper conductor to be connected with earth rod, solid copper or stainless steel earth rods.



Structure Outline:



Ord. Code	Rod Dia. (mm)	Conductor Range (mm ²)	Dimension (mm)		Box. Qty	Weight (Kg)
			Bolt	A x H		
GRC-B 20	16-20	30 x 10	M10	45x22x56	10	0.2

Specification:

Variants of the tape connector are available to suit both copper-bonded and solid copper earth rods. All petunia rods clamps have high strength copper alloy bodies, corrosion resistance, conductivity and mechanical strength manufactured.

Based on BS 7430, UL 467, IEC 62305, EN 50164, BS 6651, NFPA 780, UNE 21186 & NFC 17102

Titel:		Document No.:						
Tape to Earth Rod Connector Clamp (GRC-B)		Rev.:	0	Issued For Approval	97/10/20	K. J.	M.R.Hedayati	M.R.Hedayati
		Page:	1/2	Description	Date	Prepared	Checked	Approved