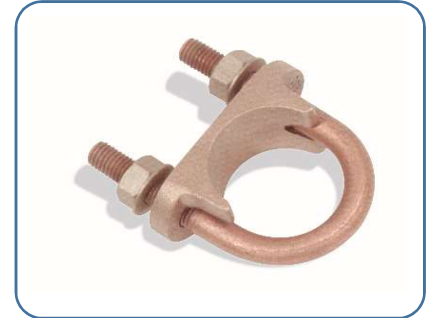
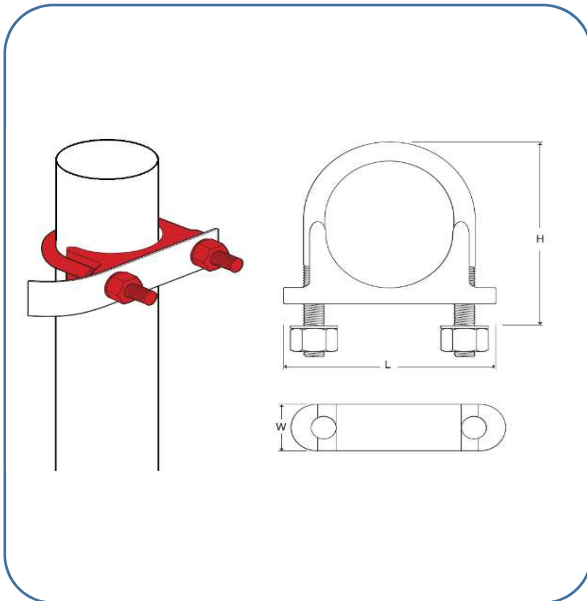


Application:

Petunia Rod to Tape Type 'U' Bolt Clamps are designed to join 50 x 10 conductor tape to the earth electrode / rebar, without the need to drill the tape.



Structure Outline:



Ord. Code	Rod Dia. (mm)	Max. Tape ange (mm)	Dimention (mm)		Box. Qty	Weight (Kg)
			Bolt	LxWxH		
GRC-O 25	16-25	50 x 10	M6	62x33x68	10	0.2

Specification:

High strength copper alloy 'U' bolt clamp designed to provide a high quality, low resistance connection between solid circular or stranded conductor and an earth rod or rebar.

Based on BS 7430, UL 467, IEC 62305, EN 50164, BS 6651, NFPA 780, UNE 21186 & NFC 17102

Titel:		Document No.:					
Rod to Tape Clamp (GRC-O)	Rev.:	0	Issued For Approval	97/10/20	K. J.	M.R.Hedayati	M.R.Hedayati
	Page:	1/2	Description	Date	Prepared	Checked	Approved