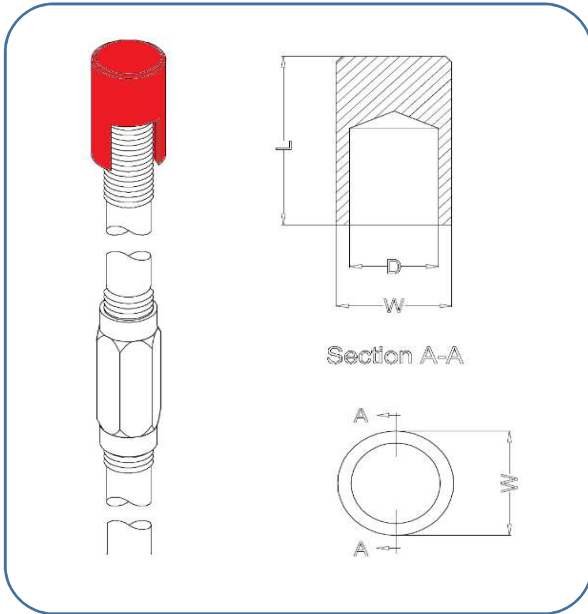


Application:

Special Steel Driving Head for Copper Bonded Steel Earth Rod.



Structure Outline:



Specification:

These reusable high tensile steel driving heads are suitable for driving earth rods by hand or with a power hammer. They screws into the coupling to allow deep driving of the earth rods.

Reference code	Erath Rod Ø		Length	Box	Weight Kg
	mm	inch	m		
GR-S 16	14.2	3/4	40	10	
GR-S 20	17.2	5/8	45	10	

DRIVING HEAD FOR STANDARD COPPER CLAD STEEL RODS

- Tempered steel

Titel:	Document No.:										
Driving Head for Copper Bonded Earth Rod (GRS)	Rev.:	0	Issued For Approval	97/10/20	K. J.	M.R.Hedayati	M.R.Hedayati				
	Page:	1/2	Description	Date	Prepared	Checked	Approved				