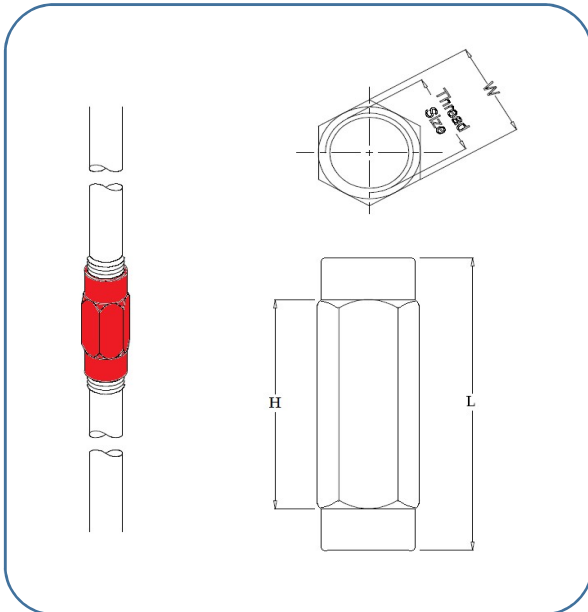


Application:

These brass coupler earth rods are used for connecting multiple threaded rods and protecting thread of earth rod from damage and corrosion.



Structure Outline:



Specification:

Couplings have a high copper content to ensure excellent corrosion resistance. They facilitate deep driving and also protect the rod threads while using the driving stud.

Reference code	Earth Rod Ø		Length	Box	Weight Kg
	mm	inch	m		
GRU 16	14.2	3/4	48	10	
GRU 20	17.2	5/8	58	10	

COUPLER FOR TREADED COPPER CLAD STEEL RODS

- Bronze (C101, C102)

Titel:	Document No.:						
Coupler for Copper Bonded Earth Rod (GRS)	Rev.:	0	Issued For Approval	97/10/20	K. J.	M.R.Hedayati	M.R.Hedayati
	Page:	1/2	Description	Date	Prepared	Checked	Approved