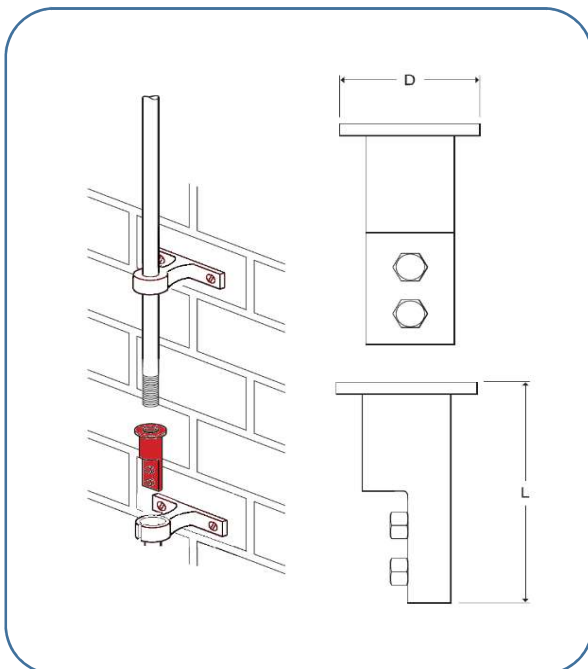


Rod to Tape Coupling (RTC)

Application:

Petunia Rod to Tape Couplers are designed to be used in conjunction with our air rod bracket. It is enabled the flat tape to be connected to the air rod.



Reference Code	Air Rod Section mm2	Dimension L x W (mm)	Box. Qty	Unit Weight (Kg)
RTC 16	16	80x40	5	0.28
RTC 20	20	80x40	5	0.28

Specification:

These brackets are used where it is not possible to fit a saddle onto the building roof and Provide 75mm projection from the building face.

Comercial Brass

Titel:	Document No.:					
Rod to Tape Coupling (RTC)	Rev.:	0	Issued For Approval	97/10/20	K. J.	M.R.Hedayati
	Page:	1/2	Description	Date	Prepared	Checked
						Approved