

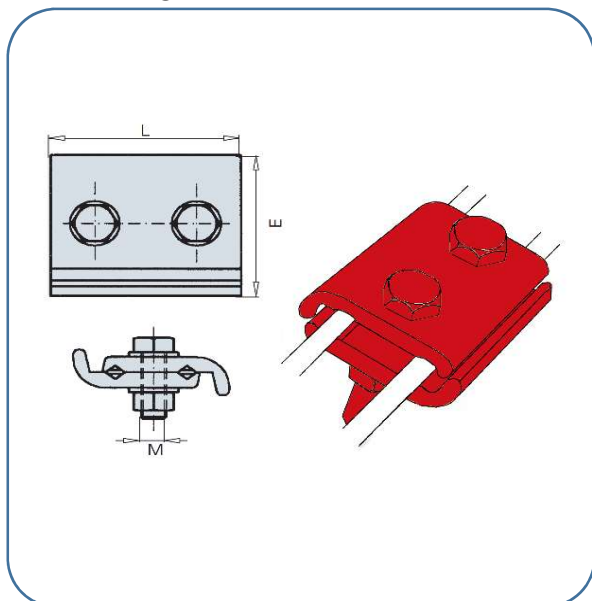
## Parallel Ground Wire Connector Clamp (SMC)

### Application:

These Bolted Type parallel connector clamps are used for making connection between two wire conductors. They are manufactured from brass with steel screws.



### Structure Outline:



### Specification:

Petunia connector clamps have high strength copper alloy bodies, corrosion resistance, high conductivity and mechanical strength, to support and passing electrical current.

Ord. Code	Tape range (mm)	Dimension L x W (mm)		Box. Qty	Weight (Kg)
		Bolt Zize	LxW		
SMC 150	25-150	M12	62x43	10	0.42

Based on BS 7430, UL 467, IEC 62305, EN 50164, BS 6651, NFPA 780, UNE 21186 & NFC 17102

Titel:	Document No.:					
<b>Parallel Ground Wire Connector Clamp (SMC)</b>	Rev.:	0	Issued For Approval	97/10/20	K. J.	M.R.Hedayati
	Page:	1/2	Description	Date	Prepared	Checked
						Approved