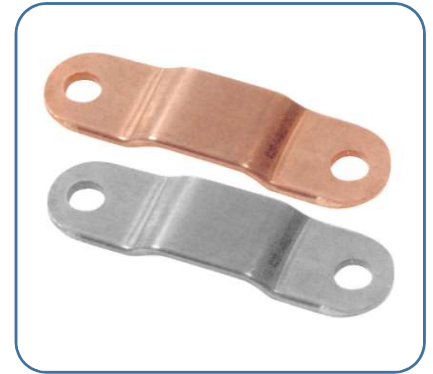


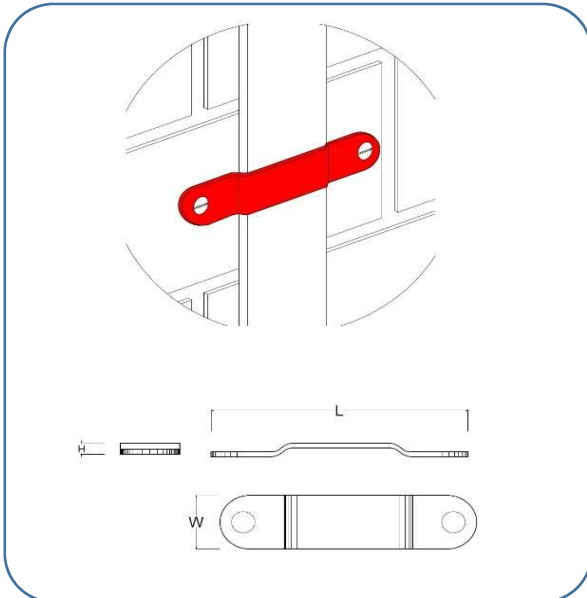
Metalic Tape Clip (TC)

Application:

Petunia tape clips hold the flat conductor flush to the surface.



Structure Outline:



Specification:

They fix with using countersunk woodscrews and wall plugs.

Ord. Code	Tape Size (mm)	Dimention L x W x H (mm)	Box. Qty	Weight (Kg)
TC 25x3	25x3	71x20x1.5	20	0.02
TC 30x3	30x3	30*20*18	20	0.02
TC 50x5	50x5	30*20*18	20	0.05
TCs 25x3	25x3	34*20*22	20	0.02
TCs 30x3	30x3	36*20*22	20	0.02
TCs 50x5	50x5	40*20*26	20	0.05

These Metalic Tape Clip are from in both pure copper or stainless steel.

Titel:		Document No.:					
Metalic Tape Clip (TC)	Rev.:	0	Issued For Approval	97/10/20	K. J.	M.R.Hedayati	M.R.Hedayati
	Page:	1/2	Description	Date	Prepared	Checked	Approved