

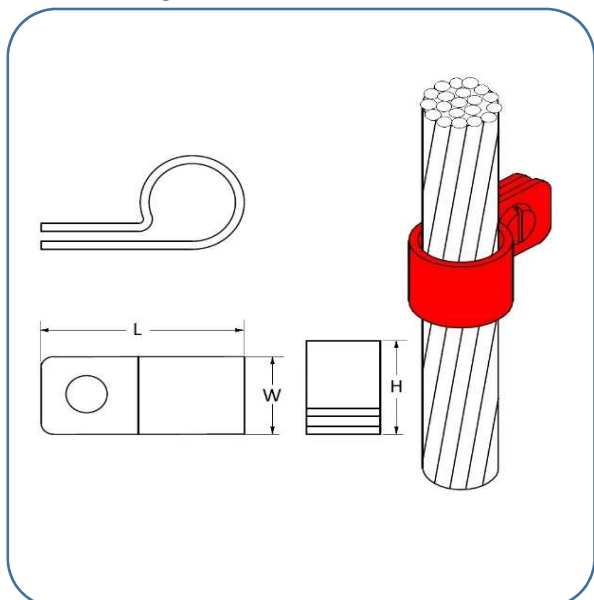
## One Hole Cable Clip (TCW)

### Application:

We offering One Hole Cable Clip which is widely appreciated for long durability, dimensional accuracy, strong tensile strength, sturdy construction and outstanding performance.



### Structure Outline:



These products are from pure copper and can made with tinned plated too.

### Specification:

These One Hole Cable Clips are used for fixing cable connectors.

Ord. Code		Con. Size (mm <sup>2</sup> )	Lenght (mm)		Dim. L x W (mm)	Box. Qty	Weight (Kg)
For Bare Con.	for PVC Covered Conductor		for TCW Clips	for TCWp Clips			
TCW 16	TCWp 16	16	5	7	15x10	20	0.01
TCW 25	TCWp 25	25	8	10	15x10	20	0.01
TCW 35	TCWp 35	35	8	10	18x10	20	0.01
TCW 50	TCWp 50	50	10	15	18x10	20	0.01
TCW 70	TCWp 70	70	10	15	22x10	20	0.01
TCW 95	TCWp 95	95	13	15	22x10	20	0.01
TCW 120	TCWp 120	120	15	20	25x15	20	0.01
TCW 150	TCWp 150	150	15	20	25x15	20	0.20
TCW 185	TCWp 185	185	20	25	30x15	20	0.20
TCW 240	TCWp 240	240	20	25	30x20	20	0.20
TCW 300	TCWp 300	300	20	30	35x20	20	0.20

Titel:		Document No.:						
<b>One Hole Cable Clip (TCW)</b>		Rev.:	0	Issued For Approval	97/10/20	K. J.	M.R.Hedayati	M.R.Hedayati
		Page:	1/2	Description	Date	Prepared	Checked	Approved