

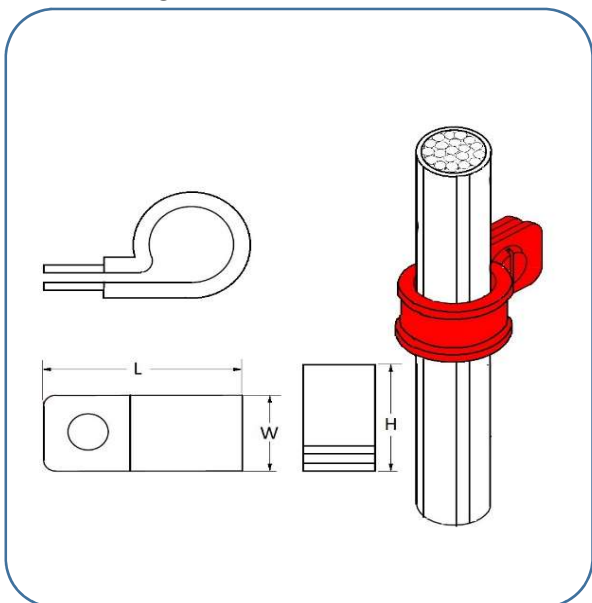
PVC Covered One Hole Cable Clip (TCWF)

Application:

The PVC Covered One Hole Cable Clip helps organize wires and can hold hydraulic hoses, wire harnesses and cables.



Structure Outline:



The clamp loom is made of steel for durability.

Specification:

The clamp made of 1 piece spring formed steel. Removable EPDM cushion helps cut vibration while protecting the loom or cables. Installs quickly and easily with just a screw and driver.

Ord. Code	Con. Size (mm ²)	Dimension L x W (mm)	Box. Qty	Weight (Kg)
TCW 16	16	24*15*15	20	0.01
TCW 25	25	30*20*16	20	0.01
TCW 35	35	30*20*16	20	0.01
TCW 50	50	34*20*20	20	0.01
TCW 70	70	36*20*20	20	0.01
TCW 95	95	40*20*24	20	0.01
TCW 120	120	46*20*26	20	0.01
TCW 150	150	48*20*28	20	0.20
TCW 185	185	52*20*31	20	0.20
TCW 240	240	56*20*36	20	0.20

Title:		Document No.:						
PVC Covered One Hole Cable Clip (TCWF)		Rev.:	0	Issued For Approval	97/10/20	K. J.	M.R.Hedayati	M.R.Hedayati
		Page:	1/2	Description	Date	Prepared	Checked	Approved