

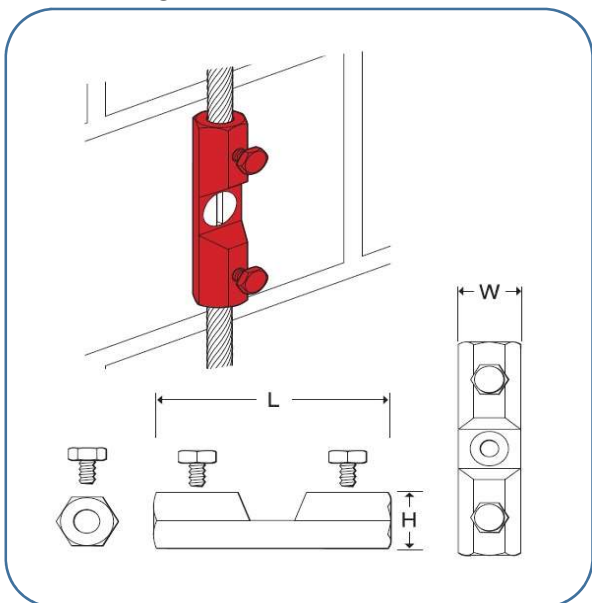
## Universal Cable Connector (UCC)

### Application:

These are used for connecting cable conductors in a test point as part of the lightning protection system. The base has a countersunk hole in the middle for securing the connector to the building surface



### Structure Outline:



### Specification:

Fix using countersunk woodscrew and wall plug.

| Ord. Code | Conductor Size (mm <sup>2</sup> ) | Dimension (mm) | Box. Qty | Weight (Kg) |
|-----------|-----------------------------------|----------------|----------|-------------|
| UCC 50    | 50                                | 70x21x19       | 5        | 0.18        |
| UCC 70    | 70                                | 70x21x19       | 5        | 0.17        |
| UCC 95    | 95                                | 70x21x19       | 5        | 0.16        |

Commercial Brass

| Titel:                                 | Document No.: |     |                     |          |          |              |
|--|---------------|-----|---------------------|----------|----------|--------------|
| <b>Universal Cable Connector (UCC)</b> | Rev.:         | 0   | Issued For Approval | 97/10/20 | K. J.    | M.R.Hedayati |
|  | Page:         | 1/2 | Description         | Date     | Prepared | Checked      |
|  |               |     |                     |          |          | Approved     |