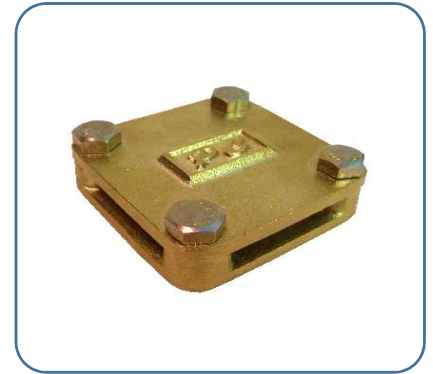


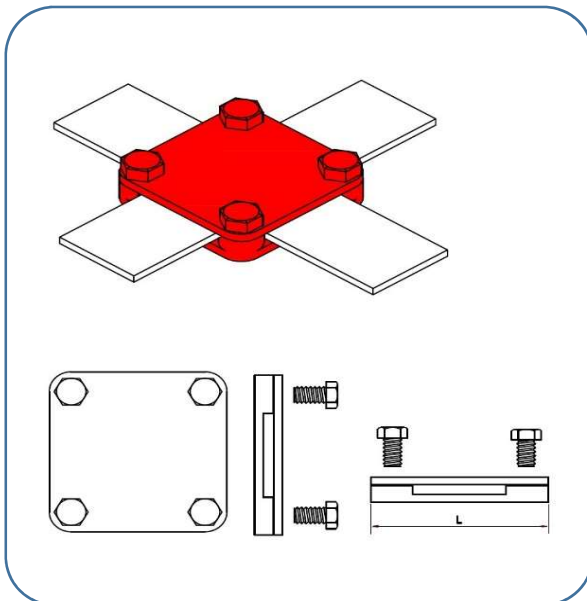
Junction Test Clamp (DTC)

Application:

These clamps are used for straight connection of tapes. Being joints, it can also used as testing points for the network by disconnecting the joints. These earthing accessories are manufactured using high quality raw material of various diameters.



Structure Outline:



These Metallic Tape Clip are from comercial brass.

Specification:

Designed to join a range of tape sizes in a straight through position. In many applications the clamp enables tapes to be overlapped and secured by the two set screws. The clamped connection is easily made/remade to allow for periodic testing.

Ord. Code	Tape Size	Length (mm)	Box. Qty	Weight (Kg)
XJC 25 x 3	25 x 3	50	5	0.15
XJC 25 x 5	25 x 5	50	5	0.25
XJC 30 x 3	30 x 3	55	5	0.22
XJC 30 x 5	30 x 5	56	5	0.25
XJC 50 x 5	50 x 5	80	5	0.48

Titel:	Document No.:					
Junction Test Clamp (DTC)	Rev.:	0	Issued For Approval	97/10/20	K. J.	M.R.Hedayati
	Page:	1/2	Description	Date	Prepared	Checked
						Approved